

## Cyclone Multiseal BRA Washer

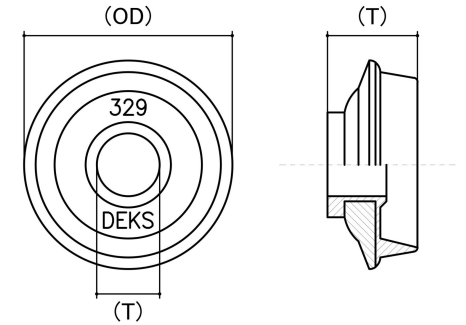
**Material:** Aluminium / EPDM

**Class Grade:** Low Tensile Class 4.6

**Corrosion Protection Level:** Ultimate

**Finish:** Silver / Black

**System Of Measurement:** Screw Gauge



*CAD drawings shown for graphic representation only.\**

Industry Size	Inside Dimension (ID) (mm)		Outside Dimension (OD) (mm)	Thickness (T) (mm)	sku (qfind)
	Min	Max	Nom	Nom	
14g x 25 x 9.75	5.30	5.60	25.00	9.75	71CYBRA

**Disclaimer:**

Dimensional data and technical information was obtained from publicly available sources and not acquired through standard agencies. It has been completed and compiled for reference purposes only; where discrepancies are found they are subject to change without notice. Bolt & Nut Australia makes no warranties or representations regarding the accuracy and validity of the compiled information and data. Contact the relevant standard authorities for accurate and detailed information.

\* CAD drawings may not reflect diameter, thread length or overall length.

© Bolt & Nut Australia Pty Ltd. All rights reserved.

Version: 18 Mar 2024